

Pre-wired Harness for Gibson[®] SG[®] with Push-Pull Pots

Follow these steps to wire up your guitar

Congratulations!

You're about to upgrade your guitar's electronics by making only a few connections. Thanks for choosing our Golden Age Harness, which we hand soldered here in our Ohio shop.

If you're new to soldering, we have free information that will help you: search "how to solder" at stewmac.com.

Push-pots: the easy way to split a humbucker

With this wiring, you can switch back and forth between the power of humbuckers and the clarity of single-coils by pushing/pulling your tone control pots.

The pickup series link connects to the push-pull switch, so pulling up creates a coil split for single-coil operation.

STEP 1 Connect the pickups

Solder the neck pickup's ground wire to the back of the Neck Volume Pot (see wiring diagram). Solder the hot lead to the lug indicated on the same pot.

Solder the bridge pickup's ground and hot leads to the Bridge Volume Pot as indicated in the diagram.

STEP 2 Connect the series links

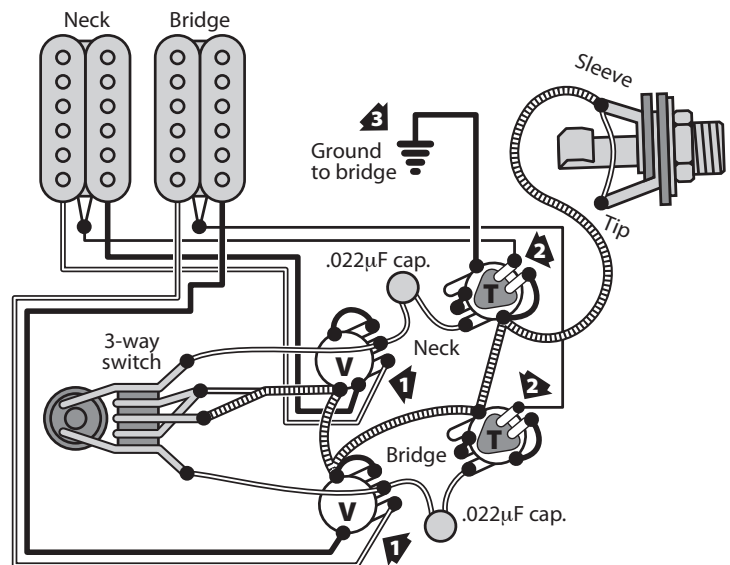
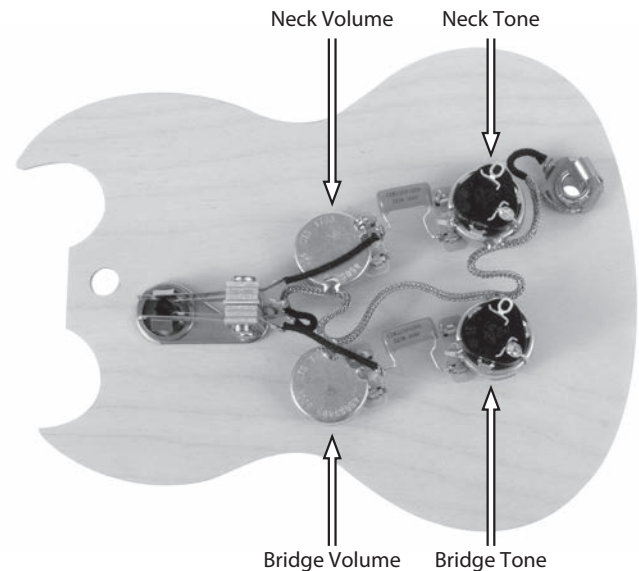
Connect the series link of each pickup to the corresponding push-pull pots.


STEP 3 Ground to the bridge

The string ground on an SG is made by connecting a ground wire from the tone pot to the metal stud or bushing of the Tune-O-Matic bridge.

If you're replacing existing wiring, the ground wire should be already connected to the bridge mounting stud. Reconnect this wire to the back of your tone pot. If you're installing this harness in a new build, we have included an extra length of ground wire for this connection.

Save the wooden template. It's a useful tool for holding parts in position during future wiring jobs.




Indicates wire with braided shield

For '50s wiring, connect the caps as shown above. For modern wiring, connect caps this way:

